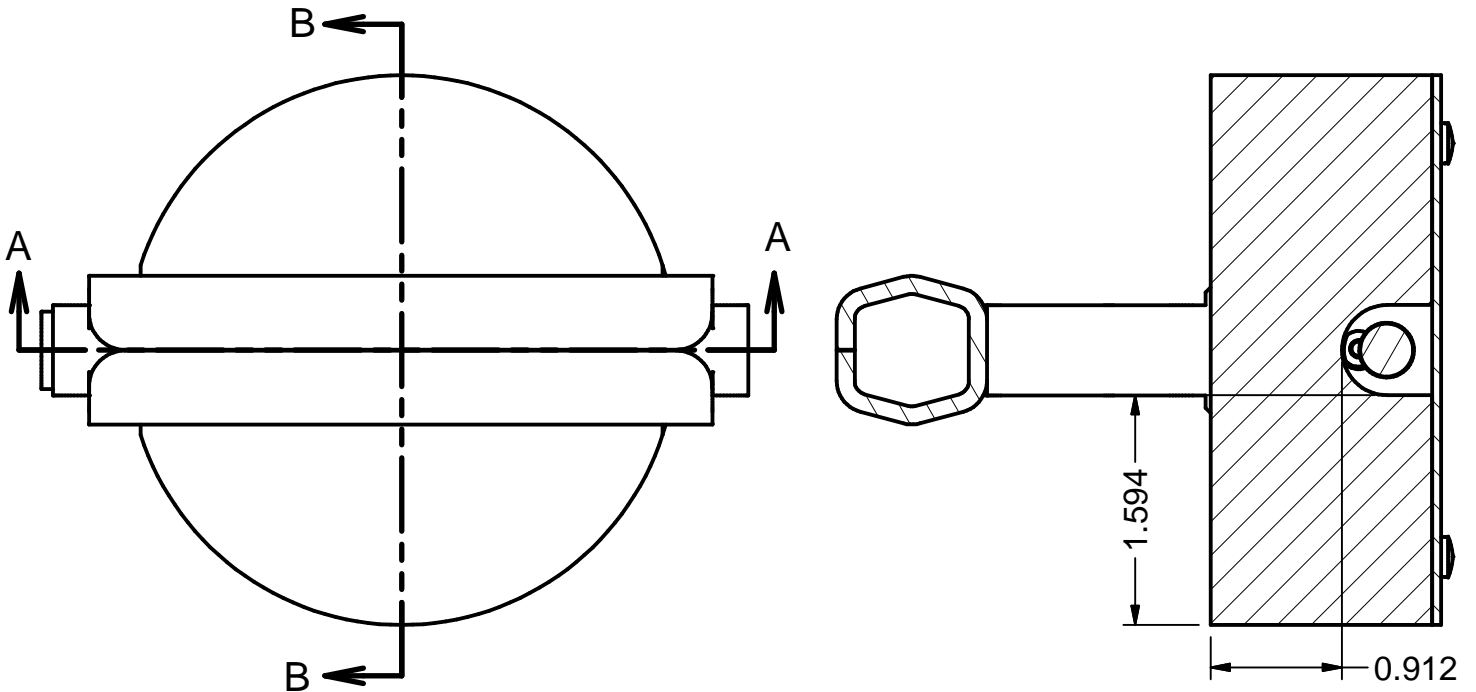
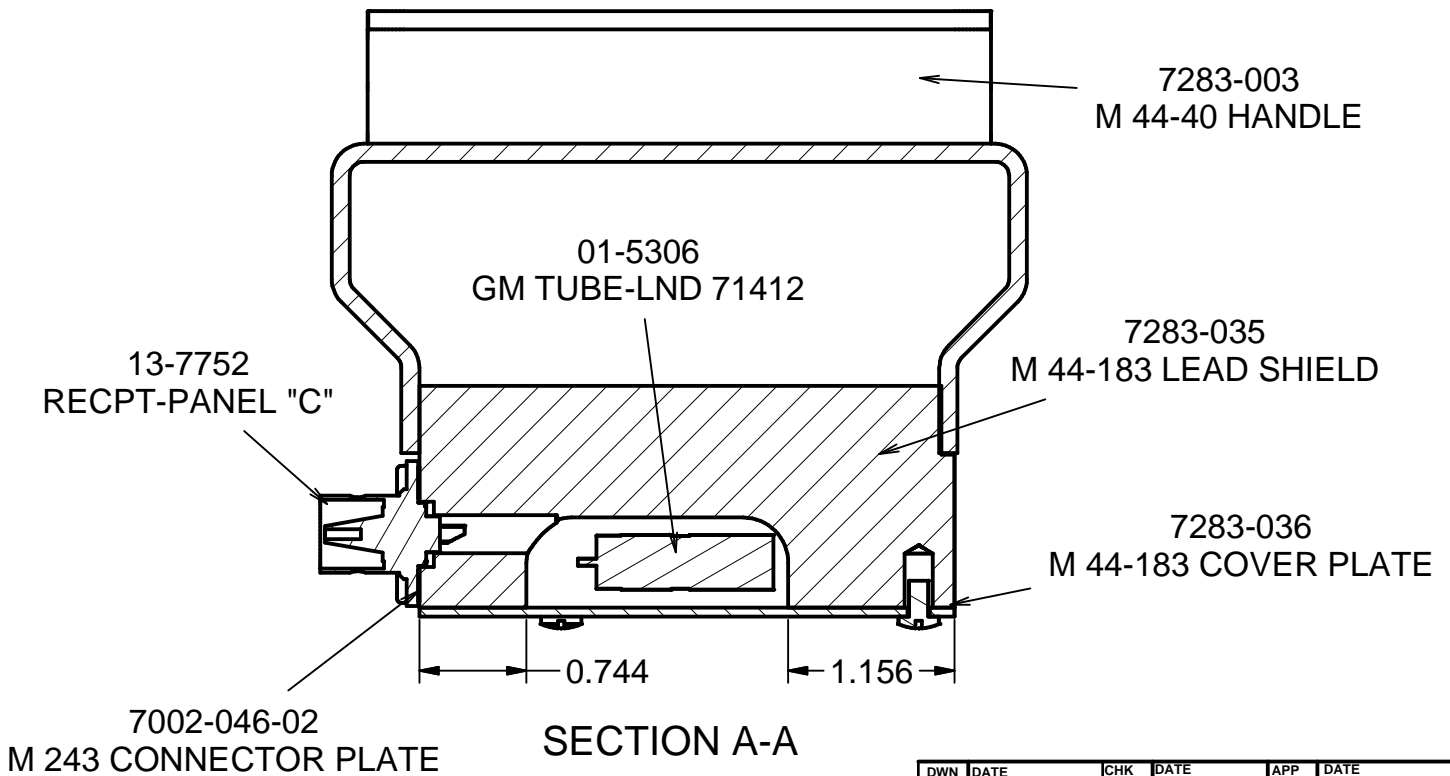


REVISION HISTORY			
RE	DESCRIPT	DATE	BY
1	VALID	11-20-09	RHS



SECTION B-B



SECTION A-A

DWN	DATE	CHK	DATE	APP	DATE
RHS	11-20-09				
DWG NUM: 4283-034				SCALE: 3/4	
TITLE M 44-183 SHIELDED GM TUBE					
LUDLUM MEASUREMENTS, INC. 501 OAK STREET SWEETWATER, TEXAS 79556				SERIES 283	SHEET 34